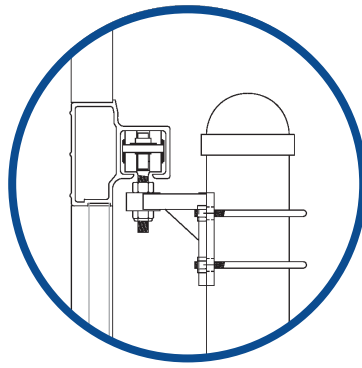
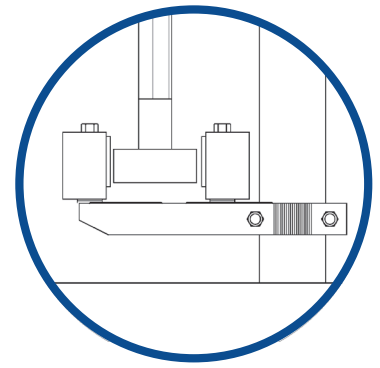




# Dakota Fence



Upper Track



Lower Track

## SPECIFICATIONS

### Manufacturer

- Gate type shall be, Dakota Slide-Single Track aluminum cantilever slide gate as manufactured by Dakota Fence, Fargo, North Dakota 800-726-4064.

### Internal Roller Aluminum Cantilever Slide Gate

#### Gate Frame:

- Materials to be in accordance with ASTM F 1184 Type II Class 2.

#### Grade:

- Aluminum track and structural pieces to be 6005A-T61 or 6061-T6, unless otherwise noted.

#### Size/Weight:

Component	Dimension	Weight per Linear ft (lbs)
DFC Gate Track	Custom Extrusion	4.66
Bottom Primary Member	2"x5"	2.013
Vertical Primary Members	2"x2"	1.126
Diagonal Bracing Members	2"x1"	.809
Truss Primary Members (If Required)	2"x2"	1.126

#### Track:

Dakota fence's custom extruded track is a singular piece of material that combines structural support elements with the track into one piece. This design allows for a gate to be built with a top track and tube member combined into one continuous piece free of splices, welding, or bolting up to 50' in length. The track is welded to the gate main frame.

- Load bearing wheels shall be 2" in diameter by 9/16" in width.
- The front and rear of the truck shall include two matching side rolling wheels to ensure truck alignment in the truck during all normal operations of the gate.
- The trucks shall be mounted to post brackets by a 5/8" diameter.

[sales@dakotafence.com](mailto:sales@dakotafence.com)

[www.dakotafence.com](http://www.dakotafence.com)

Fargo: 701.237.61.81 | 800.726.4064  
 Bismarck: 701.258.9095 | 800.726.4062  
 Minot: 701.852.6263 | 800.726.4063  
 Williston: 701.826.6264 | 800.726.4063